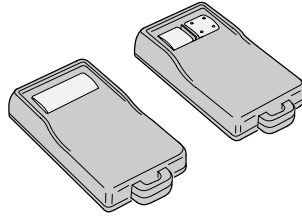


ACT-21 ACT-22



DIGITAL TRANSMITTERS

Operation Instructions



Linear[®]

(800) 421-1587 • www.linearcorp.com

DESCRIPTION

The ACT-21 and ACT-22 digital transmitters are wireless radio controls designed for use with AM/II or AccessPro receivers. In addition the MegaCode code is compatible with Linear MegaCode receivers and can be used with MDR and MDRG type garage door and gate receivers.

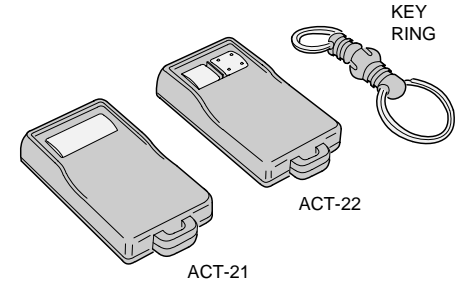
The MegaCode radio format provides unparalleled security. The format provides more than 1 million different codes.

MegaCode transmitters and receivers do not contain a typical "coding switch". Each transmitter is permanently coded at the factory to a unique code. The receiver is programmed by "learning" the transmitter's unique digital code. The receiver will activate only from these "memorized" transmitters.

Block coded versions of these transmitters (ACT-21 and ACT-22) can be ordered from the factory. Block codes are divided up as 16 facility codes, and 65,500 sequential local ID codes. This will save time when programming and maintaining large numbers of transmitters in an application.

The transmitters are powered from two 3-volt "button cell" batteries (type CR1616, CR1620, DL1620 or equivalent). The batteries should last up to 5 years with normal use.

To conserve battery life, an internal timer limits the transmission duration to 10 seconds if a transmitter button is held down.



This device complies with FCC Part 15. Operation is subject to the following two conditions: (1) This device may not cause harmful interference and (2) this device must accept any interference received, including interference that may cause undesired operation.

TO PREPARE TO USE

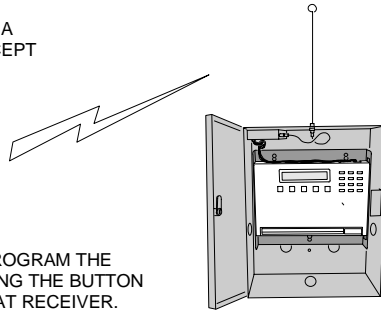
Program transmitter into receiver. Refer to the instructions provided with the receiver to set it into a "learning" mode. Activate the transmitter to program it into the receiver.

Receivers that accept "Block Coding" can be programmed to accept a user defined block of ID codes, in addition to "learning" individual transmitter "ID's".

RECEIVER MUST BE IN A "LEARN" MODE TO ACCEPT THE TRANSMITTER

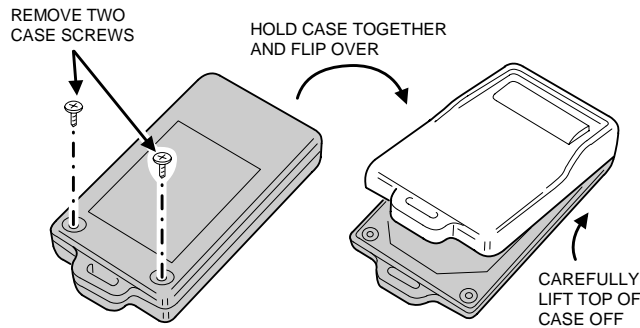


SEND A SIGNAL TO PROGRAM THE RECEIVER BY PRESSING THE BUTTON TO BE USED WITH THAT RECEIVER.



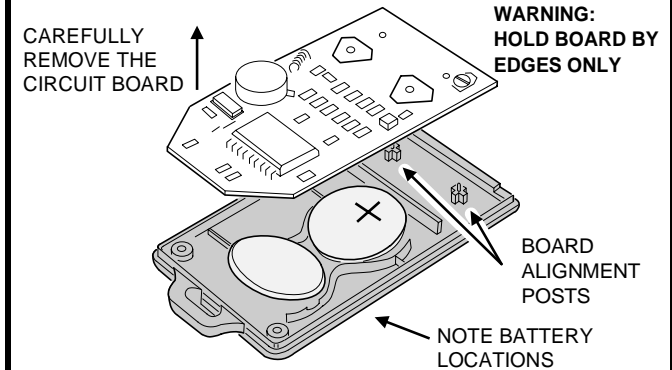
TO REPLACE BATTERIES

STEP 1 Open the case. Remove the two retaining screws from the rear of the case. Hold the case halves together and flip the transmitter over. Lay the unit on a table with the button(s) facing up. Carefully remove the case top.



TO REPLACE BATTERIES

STEP 2 Remove the board. Very carefully remove the circuit board and set it aside. Notice how the batteries are placed in the bottom case of the transmitter.

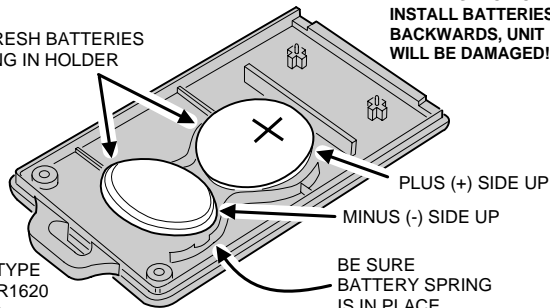


TO REPLACE BATTERIES

STEP 3 Replace the batteries. Remove the old batteries, noting their location and placement. Replace the batteries with fresh type CR1616, CR1620 or DL1620 batteries. Both batteries must be the same type.

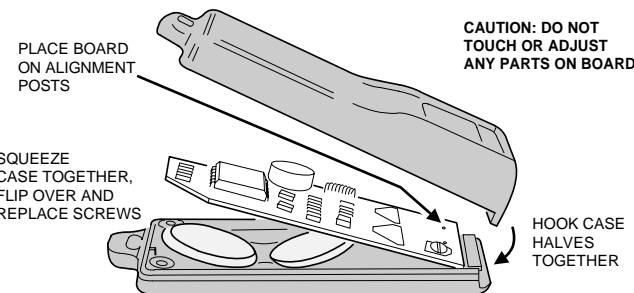
WARNING: DO NOT INSTALL BATTERIES BACKWARDS, UNIT WILL BE DAMAGED!

PLACE FRESH BATTERIES ON SPRING IN HOLDER



TO REPLACE BATTERIES

STEP 4 Close the case. Carefully place the circuit board into the case over the batteries. Align the board on the two case alignment posts. Hook the top case onto the bottom case on the button end. Squeeze the case together, flip it over and replace the two case screws. Test the transmitter for proper operation.



LINEAR LIMITED WARRANTY

This product is warranted to the consumer against defects in material and workmanship for one year from the date of purchase. This warranty applies to first retail buyers of new devices. Warrantor will repair, or at its option, replace, any device it finds that requires service under this warranty, and will return the repaired or replaced device to the consumer at the warrantor's cost. For warranty service and shipping instructions contact warrantor at the address shown below. Devices must be sent to warrantor for service at owner's expense. The remedies provided by this warranty are exclusive. Implied warranties under state law are to the one year period of this written warranty. Some states do not allow limitations on how long an implied warranty lasts, so the above limitation may not apply to you. In order to be protected by this warranty, save your proof of purchase and send copy with equipment should repair be required. This warranty gives you specific legal rights, and you may also have other rights which vary from state to state.

All products returned for warranty service require a Return Product Authorization Number (RPA#). Contact Linear Technical Services at 1-800-421-1587 for an RPA# and other important details.

IMPORTANT !!!

Linear radio controls provide a reliable communications link and fill an important need in portable wireless signaling. However, there are some limitations which must be observed.

- * For U.S. installations only: The radios are required to comply with FCC Rules and Regulations as Part 15 devices. As such, they have limited transmitter power and therefore limited range.
- * A receiver cannot respond to more than one transmitted signal at a time and may be blocked by radio signals that occur on or near their operating frequencies, regardless of code settings.
- * Changes or modifications to the device may void FCC compliance.
- * Infrequently used radio links should be tested regularly to protect against undetected interference or fault.

A general knowledge of radio and its vagaries should be gained prior to acting as a wholesale distributor or dealer, and these facts should be communicated to the ultimate users.