


# UNIVERSAL CONVERSION KIT INSTALLATION AND PROGRAMMING INSTRUCTIONS

For use with all brands of garage Door Operators.

## 1 GETTING STARTED

### A WARNING




**Moving Door can cause serious injury or death.**

- Do Not install transmitter unless the door operator's safety reverse works as required by the door operator's manual.
- Wall control must be mounted in sight of door, at least 5 feet above floor and clear of moving door parts.
- **Keep people clear of opening while door is moving.**
- Do Not allow children to play with the transmitter or door operator.

If safety reverse does not work properly:

- **Close door then disconnect operator** using the manual release handle.
- Do Not use transmitter or door operator.
- Refer to Door and Door Operator Owner's Manuals before attempting any repairs.



**Electrical Shock can cause serious injury or death.**

- Power cord must be unplugged before attaching any wires.
- Be sure wire ends do not touch each other or other terminals.

If you have questions or if you need a manual, contact the distributor or manufacturer of the operator.

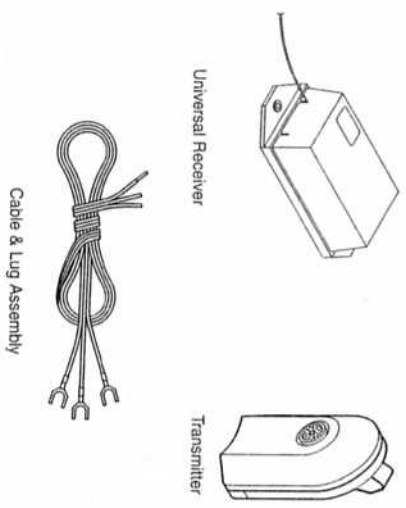
**Do Not** install this system unless all garage Door Operator safety features are working properly.

**Do Not** modify Door Operators manufactured before 1982 because they do not include all available safety features.

With a Universal Conversion Kit you can be confident that you are equipping your Door Operator with the best possible defense against the threat of code grabbers.

The Universal Conversion Kit is the ideal upgrade of replacement for Door Operators with internal or external radio systems. The installation process will vary slightly depending upon your Operator's radio system.

## PARTS IDENTIFICATION



### Unplug garage Door Operator.

**Step 1-1**  
**Remove new Receiver Cover (Fig. 1).**

- Squeeze on sides of new Receiver cover.

**NOTE: Do Not** remove the circuit board.

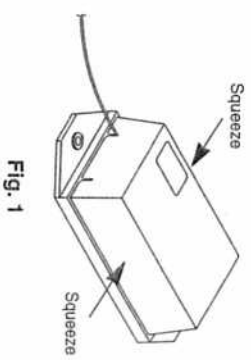


Fig. 1

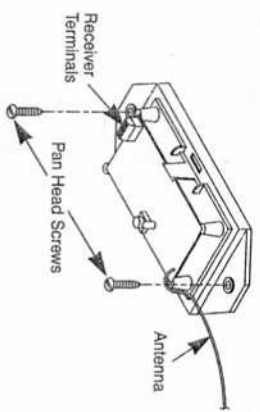


Fig. 2

## 2A INSTALLATION WHEN THE POWER HEAD HAS A 24 VOLT TERMINAL

No additional parts are required if the Power Head has a 24 Volt Terminal. The new Receiver will connect to the 24 Volt terminal and the two (2) Wall Button Terminals on the Power Head.

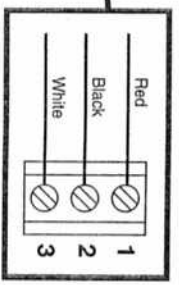
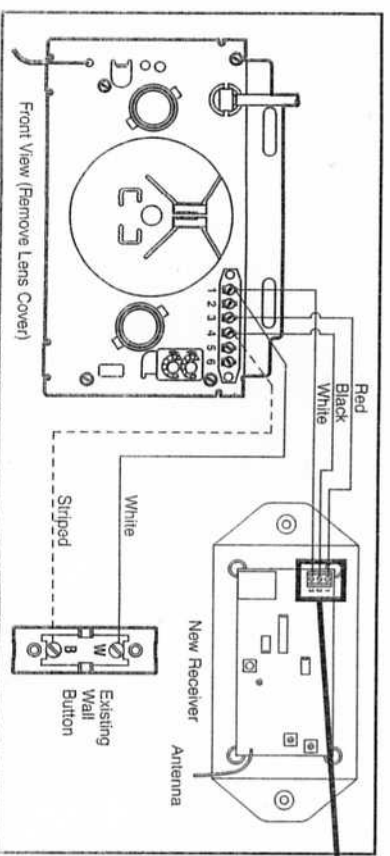
**Step 2A-1**  
Use TABLE "A" and Fig. 3 to make wire connections (See Door Operator Owner's Manual).

New Receiver Terminals	Wire Color	Power Head Terminals
1	RED	3
2	BLACK	4
3	WHITE	1

TABLE A

**Step 2A-2** Route and staple Cable and Lug Assembly as required.  
**Step 2A-3** Mount new Receiver toward door, on wall or ceiling (Fig. 2).

- At least 2 feet from Power Head.
- Use two (2) No. 10 x 1" Pan Head Screws (Not provided).



A 24 Volt Transformer and additional bell wire (22 gauge) are required to complete the installation if the Power Head does not have a 24 Volt Terminal.

The new Receiver will connect to the two (2) Wall Button Terminals on the Power Head and a 24 Volt Transformer.

- Step 2B-1 Mount new Receiver toward door, on wall or ceiling (Fig. 2).**
- At least 2 feet from Power Head.
  - Use two (2) No. 10 x 1" Pan Head Screws (Not provided).

**NOTE: Do Not** attach to mounting bracket.

**⚠ CAUTION**

Cut or pinched wires can cause Door Operator to malfunction. Drive staples just tight enough to hold wire.

- Step 2B-2 Route and staple 2-Conductor Wire from new Receiver to Power Head (Use TABLE "B" and Fig. 4 to make connections).**
- Allow enough wire at both ends to make connections.

New Receiver Terminals	Wire Color	Power Head Terminals
3	WHITE	1
2	STRIPED	2

**NOTE:** It Does Not matter which wire is connected to which Push Button Terminal.

TABLE B

- Step 2B-3 Route and staple 2-Conductor Wire from new Receiver to wall outlet (Use TABLE "C" and Fig. 4 to make connections).**
- Allow enough wire at both ends to make connections.

New Receiver Terminals	Wire Color	Transformer Terminals
3	WHITE	Either
1	STRIPED	Other

**NOTE:** It Does Not matter which wire is connected to which Terminal of the Transformer.

TABLE C

- Step 2B-4 Remove 1/4" insulation from new Receiver ends of Wire (Fig. 5).**
- Step 2B-5 Remove 1/2" insulation from Power Head and Transformer ends of Wire (Fig. 5).**

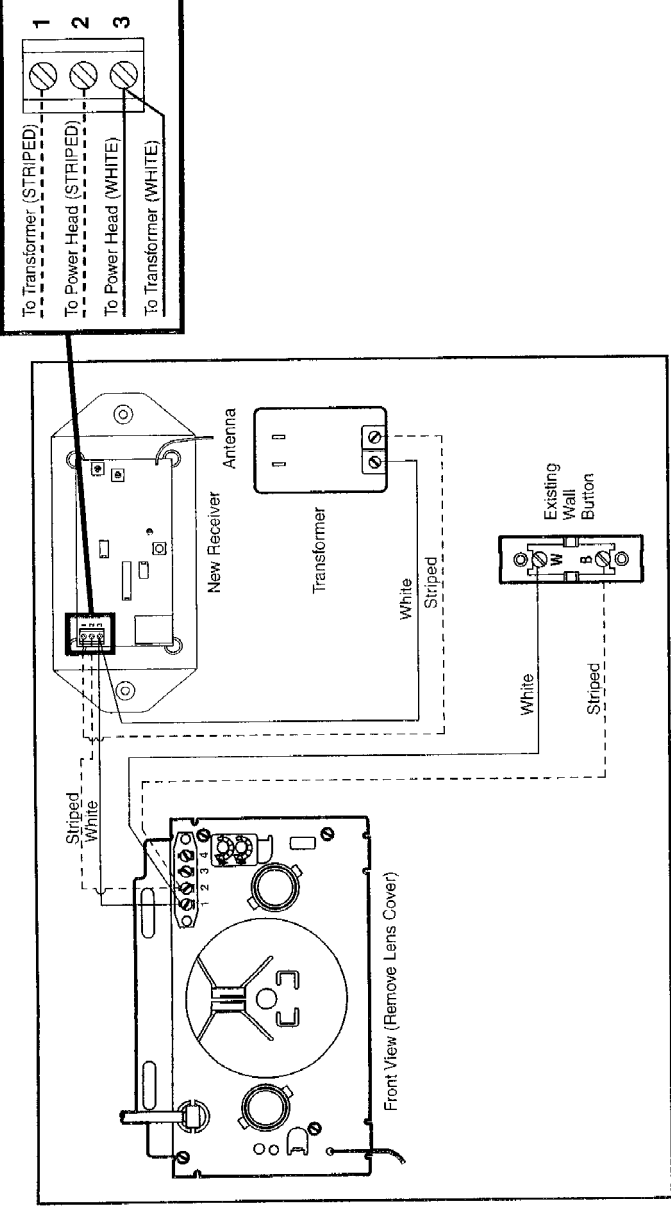


Fig. 4

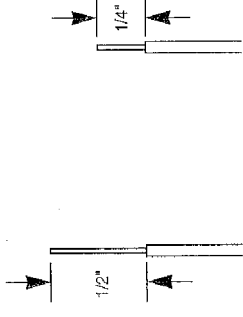


Fig. 5

### 3 CONNECT TO POWER SOURCE

- Step 3-1 Plug in the garage Door Operator.
  - Step 3-2 Plug in the Transformer (if required).
- Your System is now ready to program.

### 4 PROGRAMMING THE SYSTEM

Step 4-1 Locate the new Receiver Learn Code Button (Fig. 6).

ACTION	RADIO SIGNAL INDICATOR
Press and release the Learn Code Button.	Indicator will blink (2 times per second).
Press the Transmitter Button once.	Indicator will light continuously.
Press the same Transmitter Button again.	Indicator will go out.

**NOTE:** You must perform Steps 4-2, 4-3 and 4-4 within 30 seconds. If the Radio Signal Indicator begins to blink rapidly (about 4 times per second) you must repeat Steps 4-2 through 4-4. If the Radio Signal Indicator does not respond correctly during any part of the programming process, **check the wiring from the new Receiver to the Transformer.**

- Step 4-5 **Test the System.**
  - Press the Transmitter Button once to start the Door Operator.
  - Press a second time to stop the Door Operator.

**NOTE:** If the Door Operator does not work, **check the wiring from the new Receiver to the Power Head.**

- Step 4-6 Repeat Steps 4-2 through 4-5 for each Transmitter, Wireless Keypad or other access device.

**NOTE:** The Receiver can be programmed to accept a maximum of 7 Transmitters, Wireless Keypads or other access devices at a time.

- Step 4-7 **Replace the new Receiver Cover.** Make sure antenna is outside the Cover and is hanging straight down.

**NOTE:** Replace the light lens of the Door Operator if it was removed during the installation process.

- Step 4-8 **Test Safety Reverse System of your Door Operator.** See your Door Operator Owner's Manual.

If Safety Reverse does not work properly:

- Close door, then disconnect operator using the manual release handle.
- Do Not** use Transmitter of Door Operator.
- Refer to Door and Door Operator Owner's Manuals before attempting any repairs.

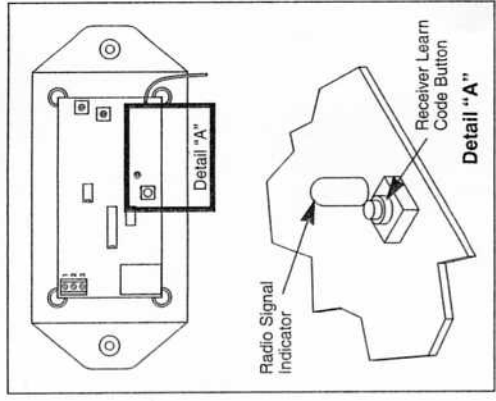


Fig. 6

### 5 DISABLING THE OLD RADIO SYSTEM

- Step 5-1 Remove batteries from all old Transmitters, Wireless Keypads or other access devices.
- Step 5-2 Throw away ALL old Transmitters and other access devices.

#### For Door Operators with INTERNAL RECEIVERS (Fig. 7).

- Step 5A-3 Cut off Internal Receiver antenna of Power Head (A) (Some Models).

**NOTE:** Most antennas are a thin piece of wire hanging from the front, back or bottom of the operator. If you are unable to locate the antenna, refer to your operator owner's manual or contact the manufacturer of the Door Operator.

- Step 5A-4 **Change the internal Receiver code settings of the Power Head (B) (Some Models).** It is essential that you change the code settings in case someone may have copied your code.

**NOTE:** The location of the code switches varies from model to model. They are generally a long row of numbered "switches" similar to those within your old transmitter. Change this code by changing the combination of up and down switches of the Internal Receiver located in your Power Head.

Instead of code switches, some Door Operators have "punch outs". To change the code, remove or break one or more additional wires.

Some Door Operators do not have code switches or "punch outs". If you are unable to locate the settings, refer to your owner's manual or contact the manufacturer of the Door Operator.

#### For Door Operators with EXTERNAL RECEIVERS (Fig. 8).

- Step 5B-3 Remove the existing External Receiver from Power Head Terminals (C). Disconnect the wires from the Power Head and remove existing External

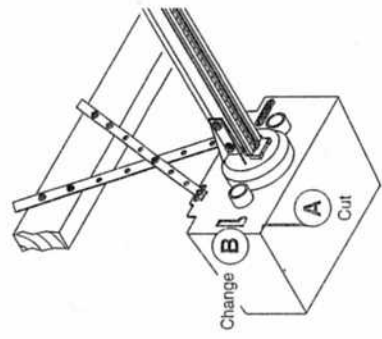


Fig. 7

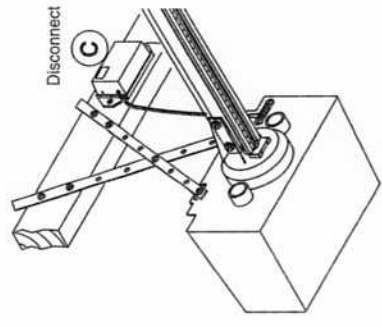


Fig. 8

